

Wey Eccentric Butterfly Valve TZ 01-5

4.1.50

with Cross Head Gear GK



Standard Construction

Body: Ductile Iron EN-GJS-400-15

Disc: Ductile Iron EN-GJS-400-15

Corrosion protection: Body inside with enamel finish and outside with a cermet and top coat RAL 5015.

Shaft: 1.4057

Bearing: 2.1090

Seal: EPDM

Actuation: Handwheel/Cross Head Gear

Nominal pressure: 10/16 bar

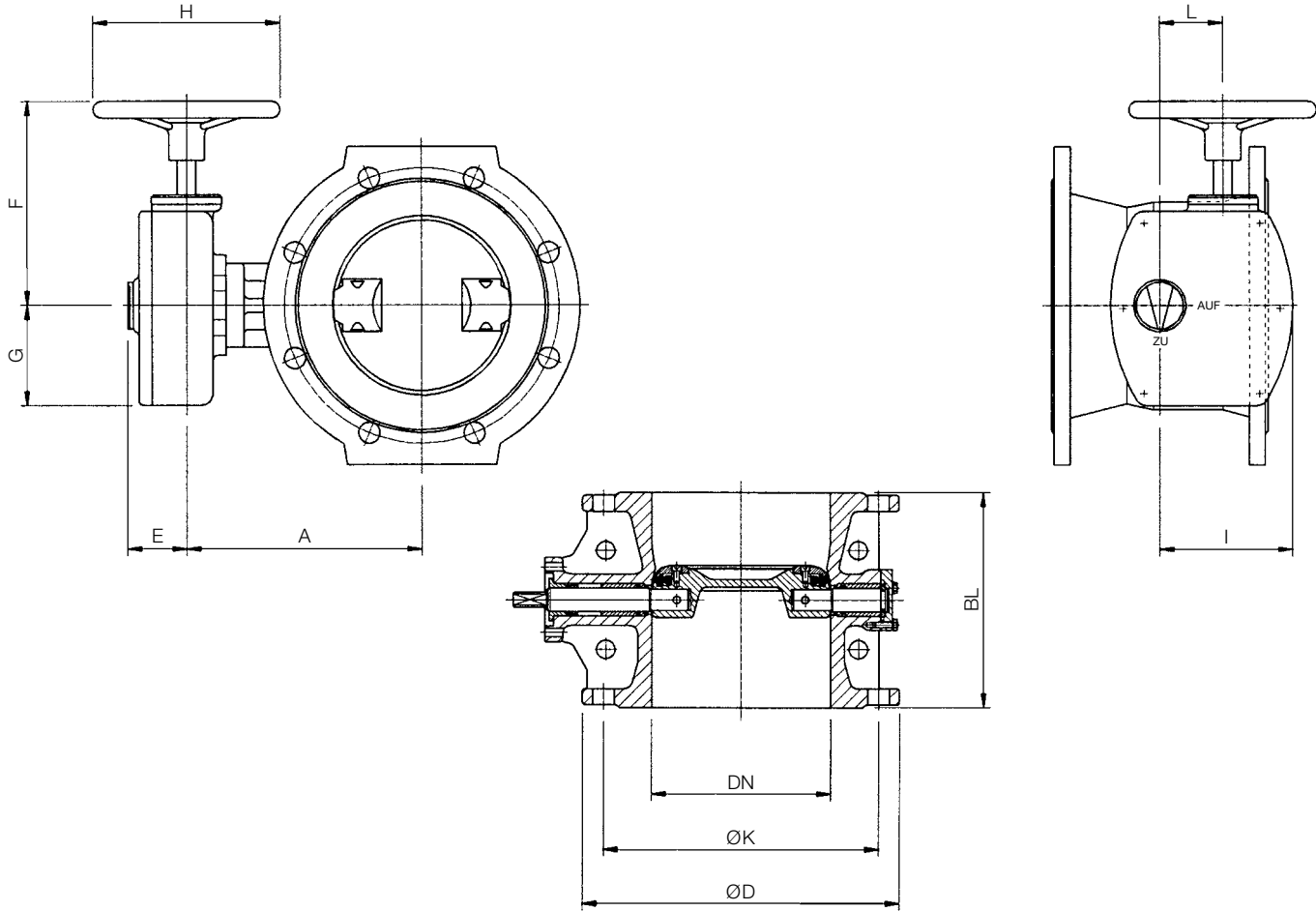
Flange drilling EN 1092 / ISO 7005

Face-to-face EN 558 / ISO 5752 part 14

Actuating flange: acc. to ISO 5211

Test acc. EN 12266-1, rate A

Size DN 200 and larger include flange footing



Nominal pressure PN max. 10 bar, flange drilling PN 10

DN	D	K	BL	A	E	H	G	F	I	L	Qty screws	Actuating Flange	Gear GK	Turns to close	Weight kg
100	220	180	190	172	63	200	107	233	141	67	8 x M16	F07	1	24	30
125	250	210	200	222	63	200	107	233	141	67	8 x M16	F07	1	24	42
150	285	240	210	227	63	200	107	233	141	67	8 x M20	F07	1	24	51
200	340	295	230	252	63	200	107	233	141	67	8 x M20	F07	1	24	55
250	400	350	250	277	63	200	107	233	141	67	12 x M20	F10	1	24	75
300	445	400	270	306	63	200	107	233	141	67	12 x M20	F10	1	24	88
350	505	460	290	360	85	300	161	296	198	99	16 x M20	F12	2	27	144
400	565	515	310	425	85	300	161	296	198	99	16 x M24	F12	2	27	199
500	670	620	350	475	85	300	161	296	198	99	20 x M24	F14	2	27	310
600	780	725	390	575	85	300	161	296	198	99	20 x M27	F16	2	27	400

Nominal pressure PN max. 16 bar, flange drilling PN 16

DN	D	K	BL	A	E	H	G	F	I	L	Qty screws	Actuating Flange	Gear GK	Turns to close	Weight kg
100	220	180	190	172	63	200	107	233	141	67	8 x M16	F07	1	24	30
125	250	210	200	222	63	200	107	233	141	67	8 x M16	F07	1	24	42
150	285	240	210	227	63	200	107	233	141	67	8 x M20	F07	1	24	51
200	340	295	230	252	63	200	107	233	141	67	12 x M20	F07	1	24	55
250	400	355	250	277	63	200	107	233	141	67	12 x M24	F10	1	24	75
300	455	410	270	306	85	300	161	296	198	99	12 x M24	F12	2	27	144
350	520	470	290	360	85	300	161	296	198	99	16 x M24	F12	2	27	144
400	580	525	310	425	85	300	161	296	198	99	16 x M27	F14	2	27	199
500*	715	650	350	475	85	300	161	296	198	99	20 x M30	F14	2	27	310
600**	840	770	390	575	85	300	161	296	198	99	20 x M33	F16	2	27	400

* max. 10 bar

** max. 6 bar

Large size on request