

Wey Knife Gate Valve MGA PN 16

2.5.10

DN 50–300
Standard construction

Materials acc. to data sheet 2.0.13

Corrosion protection acc. to data sheet 2.0.12

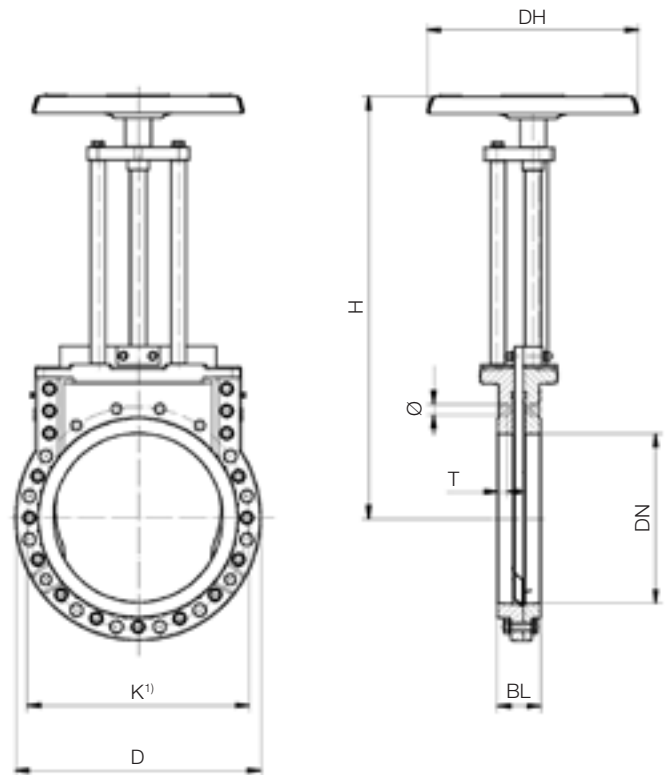
Flange drilling: PN 10/16 EN 1092 / ISO 7005

Face-to-face: EN 558 / ISO 5752 part 20

Nominal pressure PN: 16 bar

Operating pressure: Refer to table column OP

Test acc. EN 12266-1, rate A



DN	D PN 16	K PN 16 ¹⁾	BL	H	DH	Ø	T	Qty bolts	⊕	⊕	OP (bar) ²⁾	Weight [kg]
50	165	125	43	275	150	M16	–	4	–	4	16	11
65	185	145	46	312	150	M16	12	8	4	4	16	12
80	200	160	46	339	200	M16	14	8	4	4	16	13
100	220	180	52	384	200	M16	14	8	4	4	16	17
125	250	210	56	448	300	M16	16	8	4	4	16	23
150	285	240	56	501	300	M20	16	8	4	4	16	32
200	340	295	60	586	300	M20	15	12	6	6	16	40
³⁾ 250	405	355	68	676	300	M24	15	12	6	6	10	65
300	460	410	78	785	400	M24	20	12	6	6	10	100

¹⁾ Flange drilling PN 10 possible

²⁾ All actuators are sufficient for specified pressure conditions on unproblematic media
Other actuators acc. to various conditions are possible

³⁾ DN 50–200 in material EN-GJS-400-15 according type MF