

Wey Knife Gate Valve MGA PN 10

2.5.11

DN 50–600
Standard construction

Materials acc. to data sheet 2.0.13

Corrosion protection acc. to data sheet 2.0.12

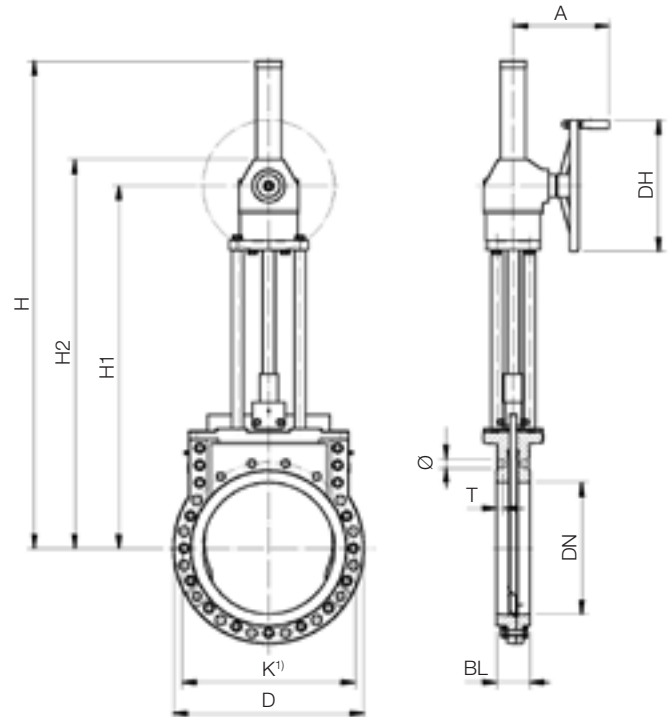
Flange drilling: PN 10/16 EN 1092 / ISO 7005

Face-to-face: EN 558 / ISO 5752 part 20

Nominal pressure PN: 10 bar

Operating pressure: Refer to table column OP

Test acc. EN 12266-1, rate A



DN	D PN 10	K PN 10 ¹⁾	BL	H	H1	H2	DH	A	Ø	T	Qty bolts	⊕	⊕	OP (bar) ²⁾	Actuator Auma GK ²⁾	i	Weight [kg]
⁴⁾ 50	165	125	43	*	382	475	200	216	M16	–	4	–	4	10	10.2	1:1	18
⁴⁾ 65	185	145	46	*	418	511	200	216	M16	12	8	4	4	10	10.2	1:1	19
⁴⁾ 80	200	160	46	*	445	538	200	216	M16	14	8	4	4	10	10.2	1:1	20
⁴⁾ 100	220	180	52	*	497	590	200	216	M16	14	8	4	4	10	10.2	1:1	24
⁴⁾ 125	250	210	56	*	531	624	200	216	M16	16	8	4	4	10	10.2	1:1	29
150	285	240	56	*	580	673	200	216	M20	16	8	4	4	10	10.2	2:1	36
³⁾ 200	340	295	60	850	665	750	250	231	M20	15	8	2	6	10	10.2	2:1	45
250	405	350	68	969	784	869	315	258	M20	17	12	6	6	10	10.2	2:1	72
300	460	400	78	1214	929	1014	400	265	M20	21	12	6	6	10	10.2	2:1	100
350	520	460	78	1340	1060	1140	400	290	M20	16	16	6	10	10	14.2	2.8:1	138
400	580	515	102	1526	1146	1226	400	290	M24	24	16	6	10	10	14.2	2.8:1	187
450	640	565	114	1610	1230	1310	500	301	M24	29	20	10	10	10	14.6	4:1	282
500	715	620	127	1771	1291	1371	500	301	M24	28	20	10	10	10	14.6	4:1	337
600	840	725	154	2094	1514	1594	800	320	M27	33	20	10	10	10	14.6	4:1	530

* protecting tube not necessary

¹⁾ Flange drilling PN 16 possible

²⁾ All actuators are sufficient for specified pressure conditions on unproblematic media
Other actuators acc. to various conditions are possible

³⁾ DN 50–200 in material EN-GJS-400-15 according type MF

⁴⁾ DN 50–125 Bevel gear 45° turned